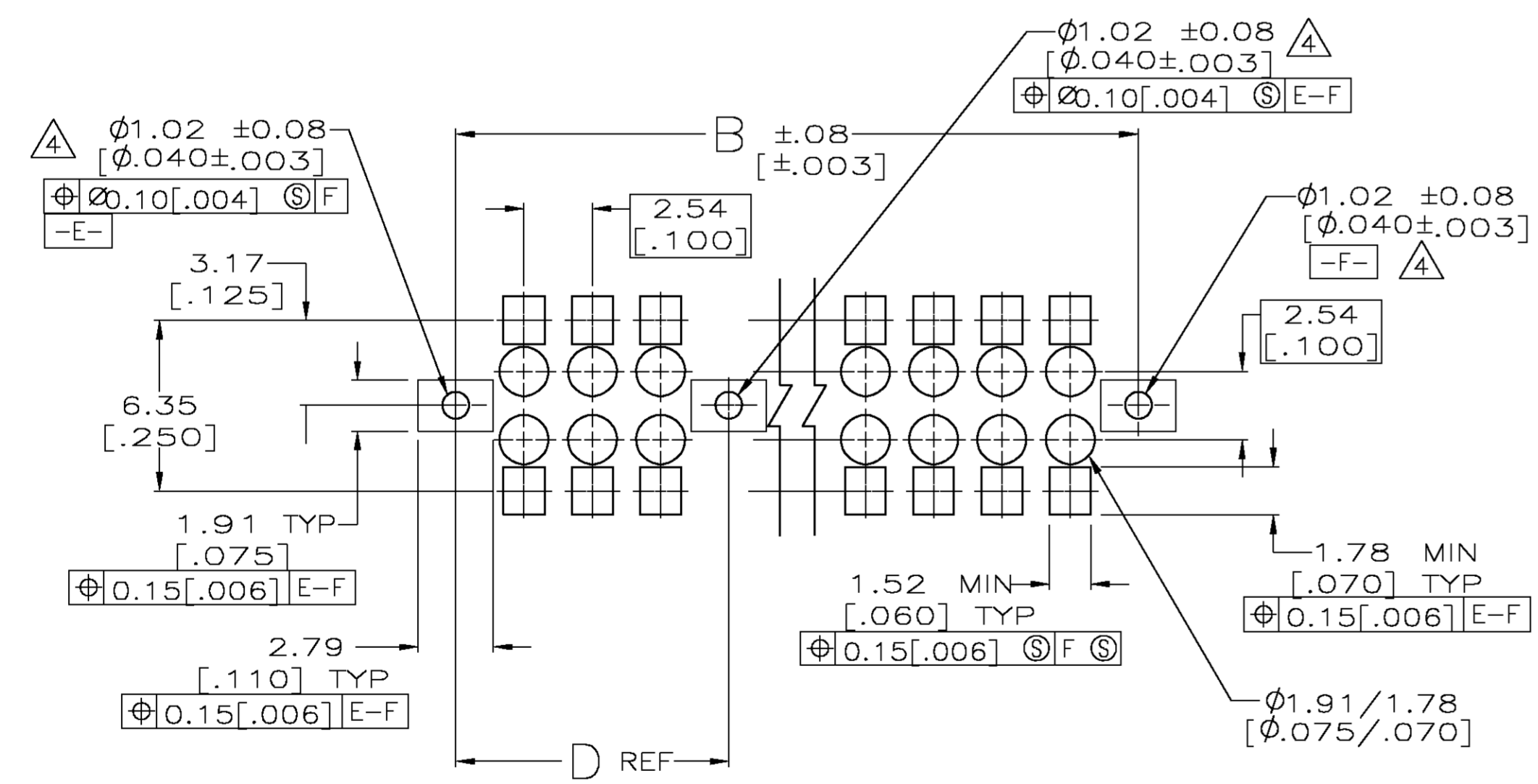
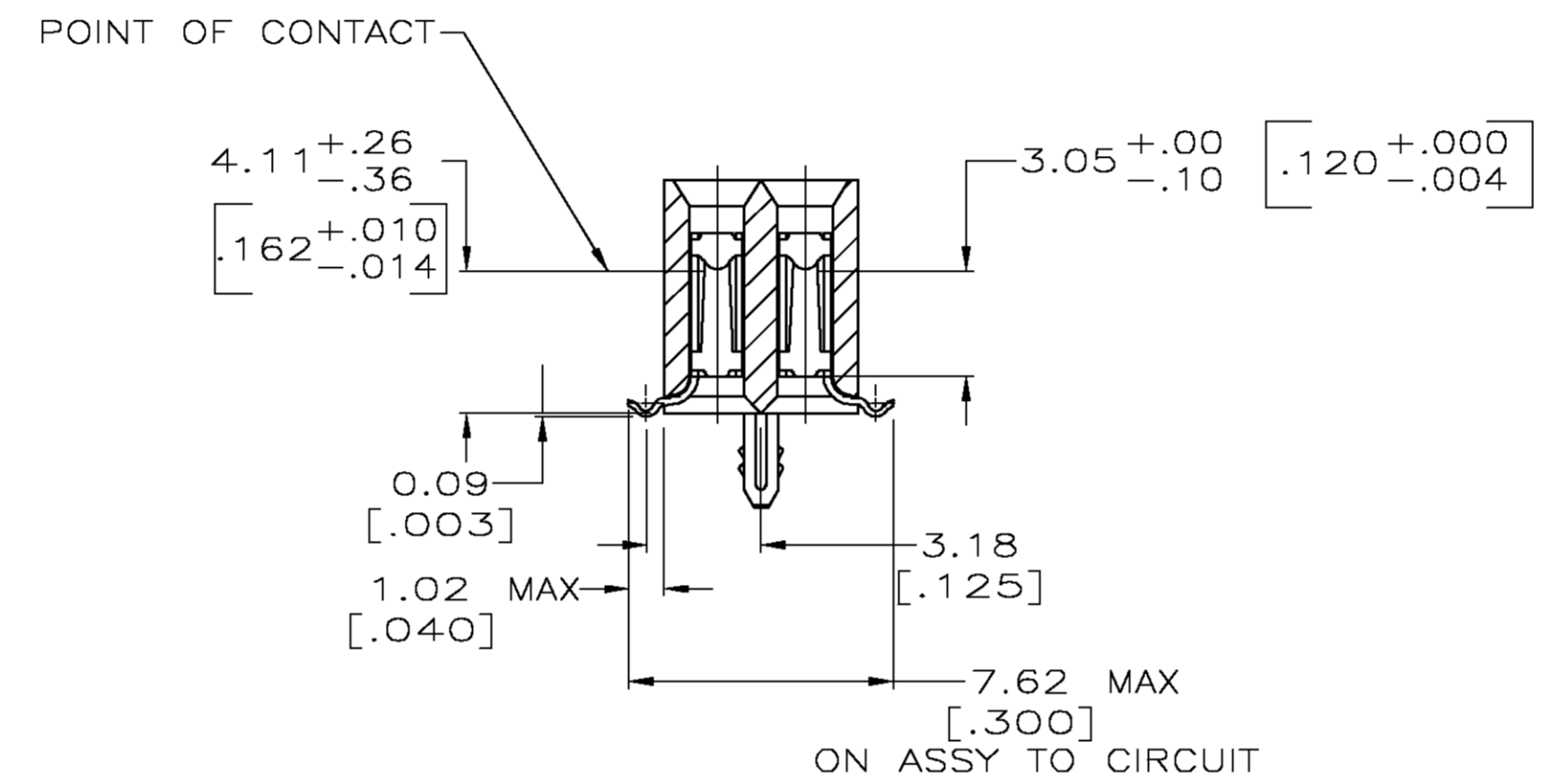
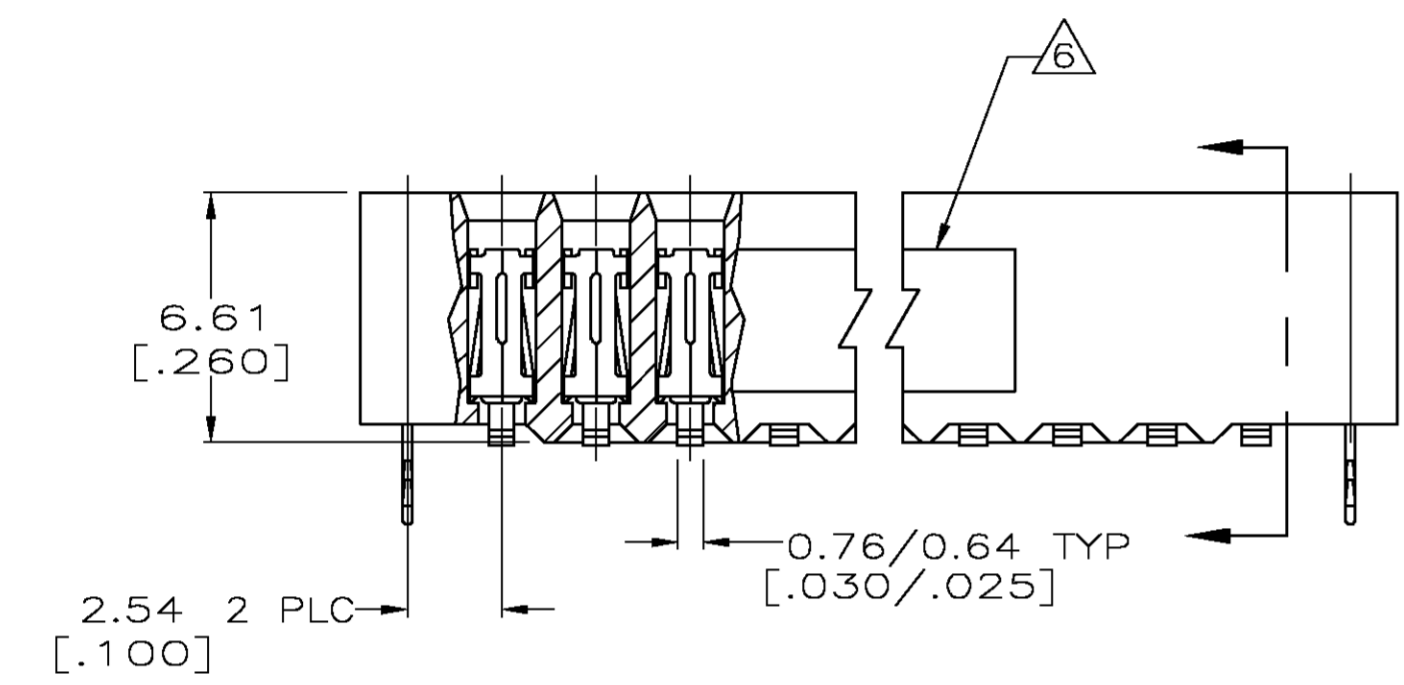
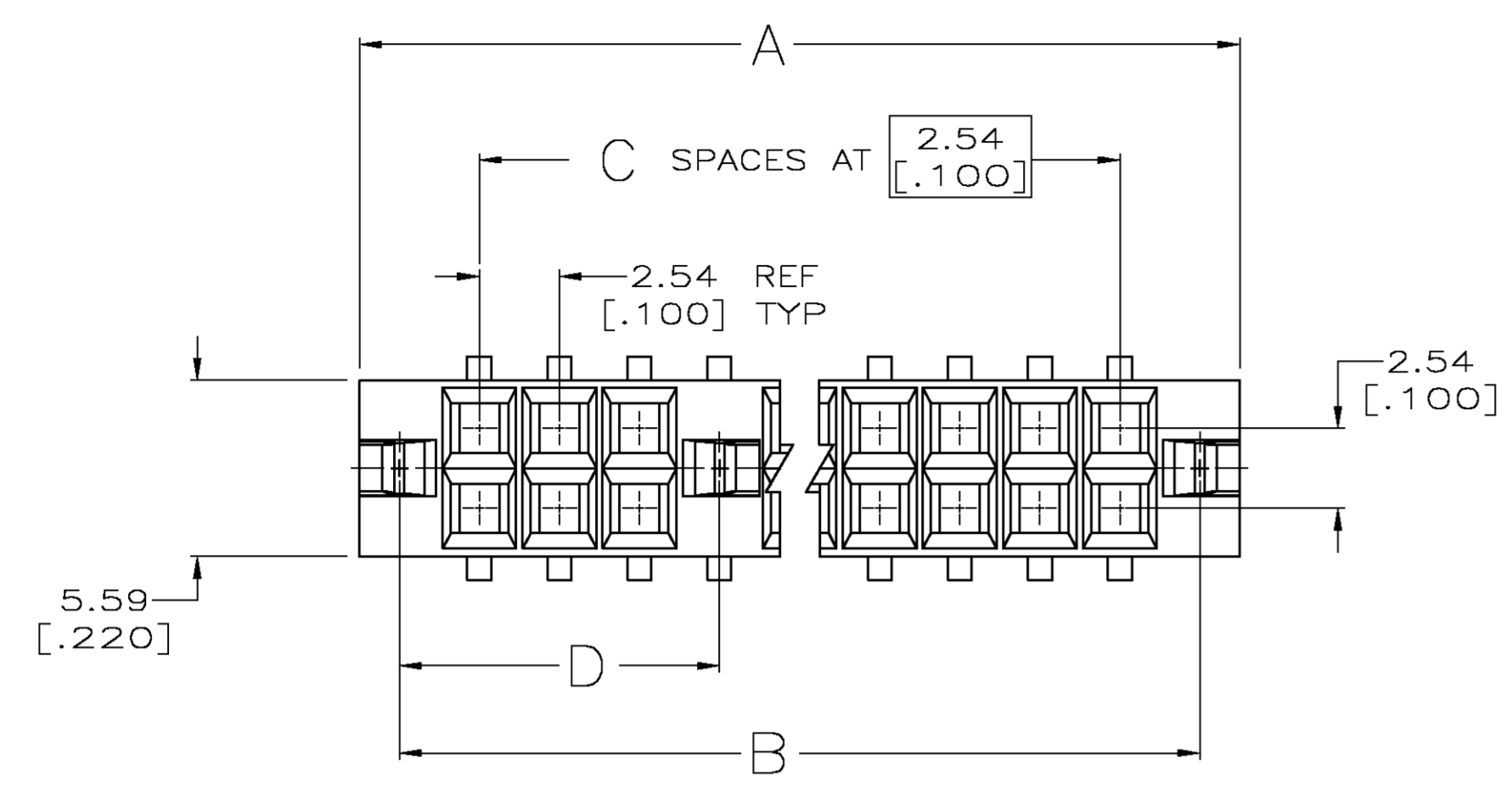


- ① HOUSING MATERIAL: THERMAL PLASTIC, COLOR: BLACK
- ② PHOSPHOR BRONZE
- ③ CONTACT FINISH: .000762[.000030] GOLD MIN IN CONTACT AREA OVER .00127[.000050] MIN NICKEL UNDERPLATE ALL OVER, .00381[.000150] MIN G
- ④ HOLD-DOWN HOLES (2 OR 3 PLACES) $\phi 1.125 \pm 0.025$ [.0453 \pm .0010] DRILL SIZE 0.02-0.08[.001-.003] COPPER PLATING, 0.0076[.0003] MIN 60/40 TIN-LEAD G
- ⑤ NO CENTER HOLD-DOWN
- ⑥ HOT EMBOSS AMP TRADEMARK AND DATE CODE WITH 1.57 ± 0.38 [.062 \pm .015] CHARACTERS AS PART SIZE PERMITS. THE ORDER AND LOCATION IS OPTIONAL.
- ⑦ CONTACT FINISH: .000030 GOLD MIN ON CONTACT AREA, OVER .000050 MIN NICKEL UNDERPLATE ALL OVER .000150 MIN TIN ON SOLDER LEADS .000150 MIN TIN ON HOLD DOWNS.
- ⑧ PRELIMINARY PART



RECOMMENDED ETCHED CIRCUIT LAYOUT
 DIM AND TOL IN ACCORDANCE WITH ANSI-IPC-D-200G, TYPE 1, CLASS C

535959-1 THRU 4-535959-0
 SUPERSEDED BY 147102

FINISH	D	C	B	A	NO OF POSN	PART NUMBER
③	⑤	7	22.86 [1.900]	25.40 [1.000]	16	⑧ 4-535959-1
③	⑤	38	50.80 [2.000]	104.14 [4.100]	78	4-535959-0
③	⑤	37	50.80 [2.000]	101.6 [4.000]	76	3-535959-9
③	⑤	36	48.26 [1.900]	99.06 [3.900]	74	3-535959-8
③	⑤	35	48.26 [1.900]	96.52 [3.800]	72	3-535959-7
③	⑤	34	45.72 [1.800]	93.98 [3.700]	70	3-535959-6
③	⑤	33	45.72 [1.800]	91.44 [3.600]	68	3-535959-5
③	⑤	32	43.18 [1.700]	88.9 [3.500]	66	3-535959-4
③	⑤	30	43.18 [1.700]	86.36 [3.400]	62	3-535959-3
③	⑤	28	40.64 [1.600]	83.82 [3.300]	58	3-535959-2
③	⑤	27	40.64 [1.600]	81.28 [3.200]	56	3-535959-1
③	⑤	26	38.1 [1.500]	78.74 [3.100]	54	3-535959-0
③	⑤	25	38.1 [1.500]	76.2 [3.000]	52	2-535959-9
③	⑤	23	35.56 [2.500]	73.66 [2.900]	48	2-535959-8
③	⑤	22	35.56 [2.500]	71.12 [2.800]	46	2-535959-7
③	⑤	21	33.02 [2.400]	68.58 [2.700]	44	2-535959-6
③	⑤	20	33.02 [2.400]	66.04 [2.600]	42	2-535959-5
③	⑤	18	30.48 [2.200]	63.50 [2.500]	38	2-535959-4
③	⑤	16	30.48 [2.200]	61.0 [2.400]	36	2-535959-3
③	⑤	16	27.94 [1.800]	58.42 [2.300]	34	2-535959-2
③	⑤	15	27.94 [1.800]	55.88 [2.200]	32	2-535959-1
③	⑤	13	25.4 [1.700]	53.34 [2.100]	28	2-535959-0
③	⑤	10	25.4 [1.500]	50.8 [2.000]	22	1-535959-9
③	⑤	8	22.86 [1.200]	48.26 [1.900]	18	1-535959-8
③	⑤	4	22.86 [1.000]	45.72 [1.800]	14	1-535959-7
③	⑤	3	20.32 [1.200]	43.18 [1.700]	8	1-535959-6
③	⑤	2	20.32 [1.000]	40.64 [1.600]	6	1-535959-5
③	⑤	5	17.78 [1.400]	38.1 [1.500]	12	1-535959-2
③	⑤	31	17.78 [1.200]	35.56 [1.400]	64	1-535959-1
③	⑤	11	15.24 [1.300]	33.02 [1.300]	24	1-535959-0
③	⑤	7	12.7 [1.900]	30.48 [1.000]	16	535959-9
③	⑤	40	12.7 [2.100]	27.94 [1.0922]	80	535959-8
③	⑤	29	12.7 [3.100]	25.4 [81.28]	60	535959-7
③	⑤	24	12.7 [2.600]	22.86 [68.58]	50	535959-6
③	⑤	19	12.7 [2.100]	20.32 [55.88]	40	535959-5
③	⑤	14	12.7 [1.600]	17.78 [43.18]	30	535959-4
③	⑤	9	12.7 [1.100]	15.24 [30.48]	20	535959-3
③	⑤	12	12.7 [1.400]	12.7 [38.10]	26	535959-2
③	⑤	4	12.7 [.600]	10.16 [17.78]	10	535959-1

THIS DRAWING IS A CONTROLLED DOCUMENT.

DW	KATE HELM	04/20/90	Tyco Electronics Corporation Harrisburg, Pa
CHK	SAM BEAM	05/02/90	
APVD	RON FELIX	05/02/90	RCPT ASSY, MOD IV, SURFACE-MOUNT BOT-ENTRY, 100CL, WITH BARBED COMPLIANT HOLD-DOWN
PRODUCT SPEC	108-25022		
APPLICATION SPEC	114-25018		RESTRICTED TO
MATERIAL HOUSING:	FINISH CONTACTS: SEE TBL	WEIGHT	A1 00779 535959
CUSTOMER DRAWING		SCALE	5:1
		SHEET	1 OF 1
		REV	V